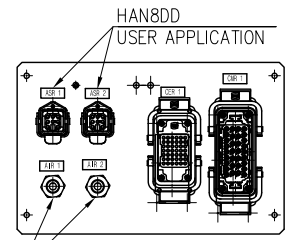
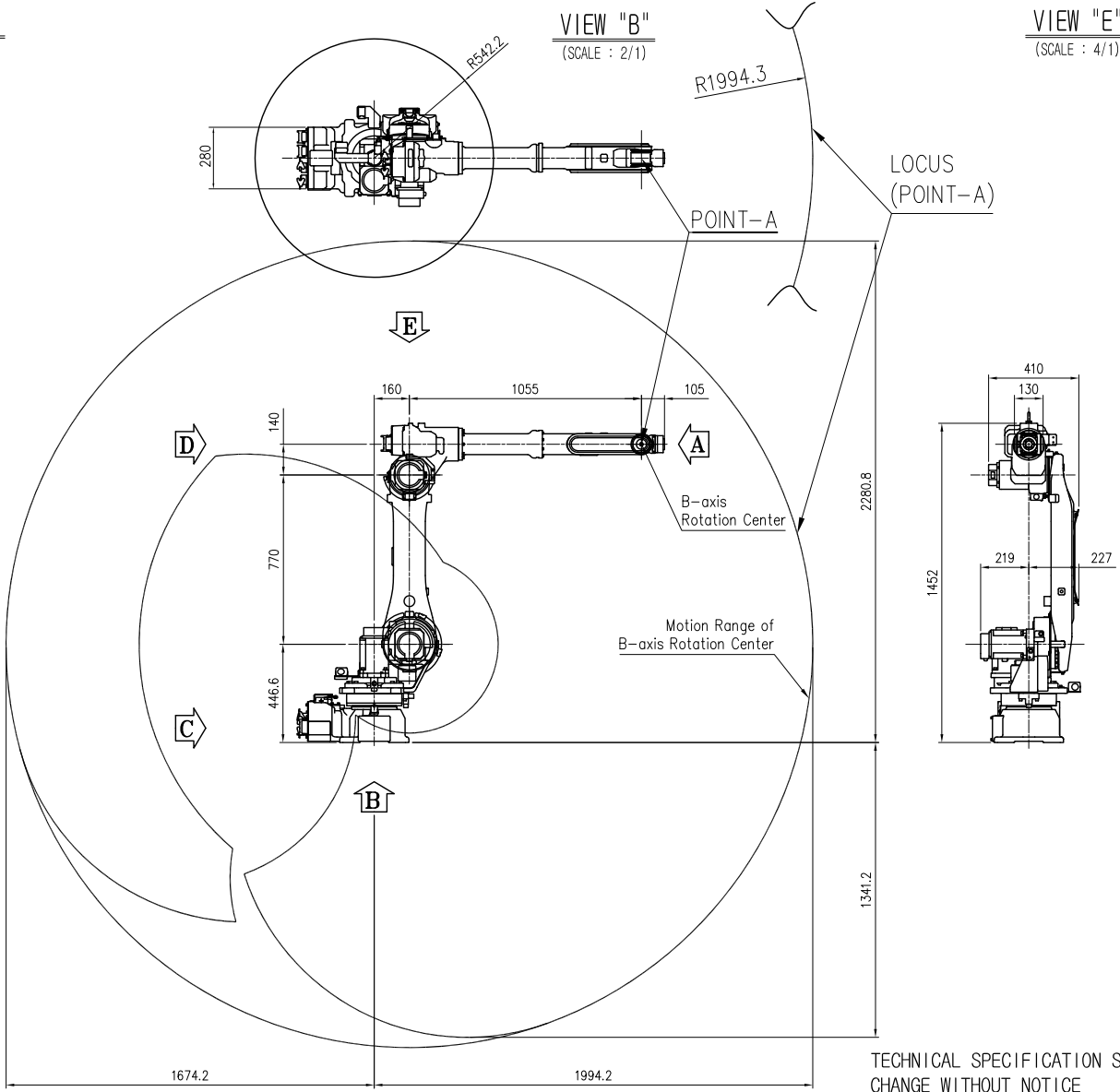


VIEW "A"  
(SCALE : 4/1)

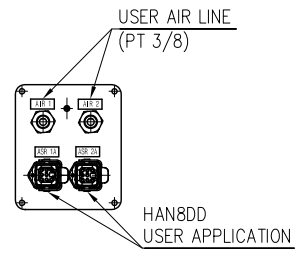
VIEW "B"  
(SCALE : 2/1)

VIEW "E"  
(SCALE : 4/1)



USER AIR LINE  
(PT 3/8)

VIEW "C"  
(SCALE : 4/1)



USER AIR LINE  
(PT 3/8)

VIEW "D"  
(SCALE : 4/1)

TECHNICAL SPECIFICATION SUBJECT TO  
CHANGE WITHOUT NOTICE

MODEL	HA006L	issue.2
DATE	2015.03.12	
HYUNDAI HEAVY INDUSTRIES CO.,LTD. ENGINE & MACHINERY DIVISION		