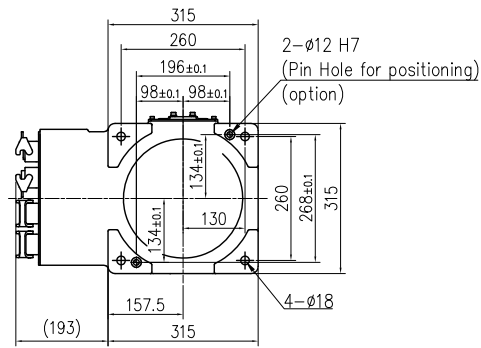
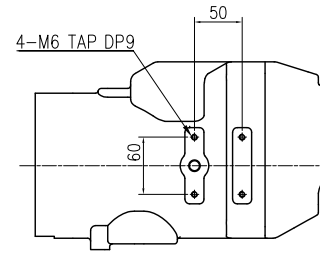


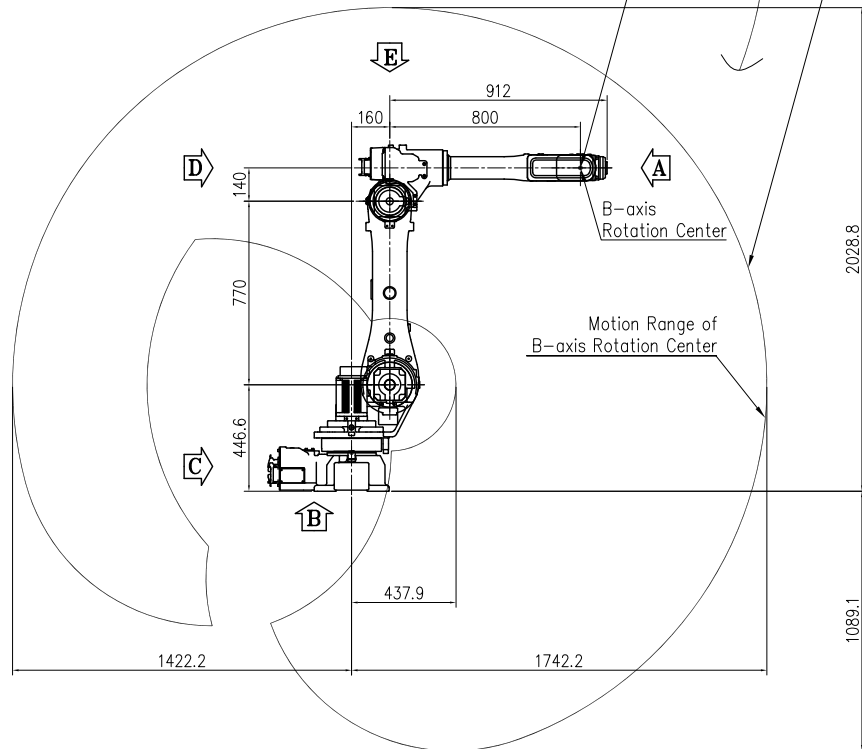
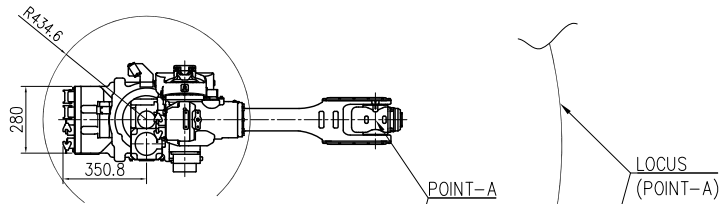
**VIEW "A"**  
(SCALE : 4/1)



**VIEW "B"**  
(SCALE : 2/1)

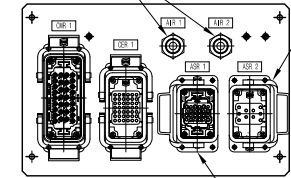


**VIEW "E"**  
(SCALE : 4/1)



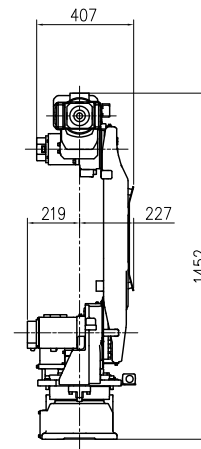
PT 3/8 - OD 8 HOSE  
USER APPLICATION  
AIR NIPPLE

HAN 10EE  
USER APPLICATION  
CONNECTOR  
POWER



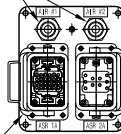
**VIEW "C"**  
(SCALE : 4/1)

HAN 24DD  
USER APPLICATION  
CONNECTOR  
SIGNAL



PT 3/8 -OD.8 HOSE  
USER APPLICATION  
AIR NIPPLE

HAN 24DD  
USER APPLICATION  
CONNECTOR  
SIGNAL



**VIEW "D"**  
(SCALE : 4/1)

HAN 10EE  
USER APPLICATION  
CONNECTOR  
POWER

TECHNICAL SPECIFICATION SUBJECT TO  
CHANGE WITHOUT NOTICE

MODEL	HH020	issue.1
DATE	2015.02.04	
 HYUNDAI HEAVY INDUSTRIES CO.,LTD. ENGINE & MACHINERY DIVISION		