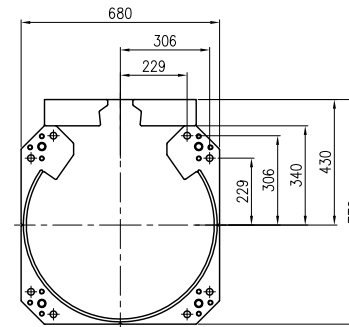
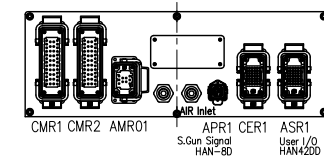
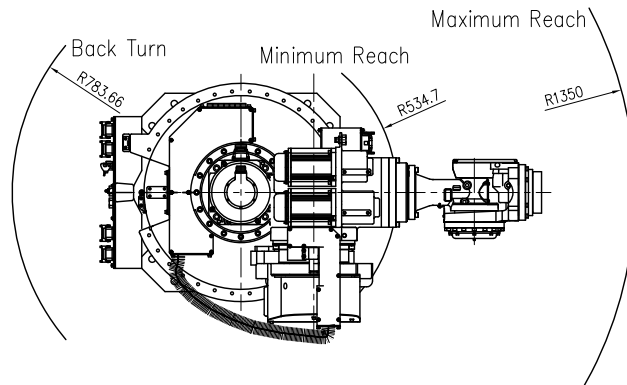


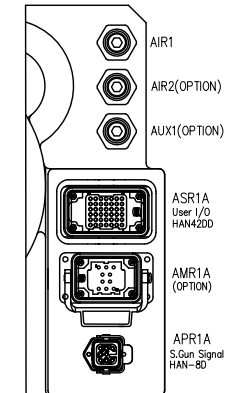
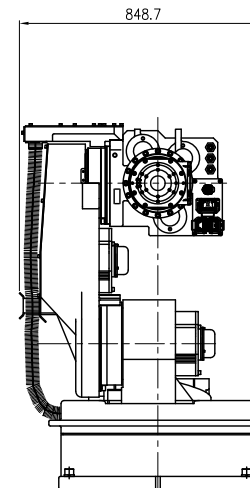
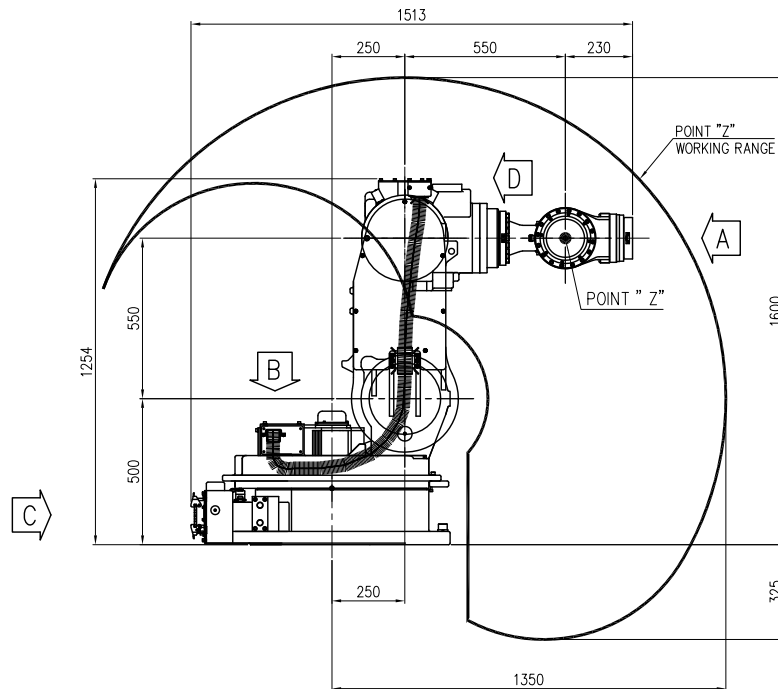
VIEW "A"  
(SCALE : 4/1)



VIEW "B"  
(SCALE : 1/1)



VIEW "C"  
(SCALE : 2/1)



VIEW "D"  
(SCALE : 4/1)

TECHNICAL SPECIFICATION SUBJECT  
TO CHANGE WITHOUT NOTICE

MODEL	HS165D	issue.1
DATE	2015.02.04	
HYUNDAI HEAVY INDUSTRIES CO.,LTD. ENGINE & MACHINERY DIVISION		