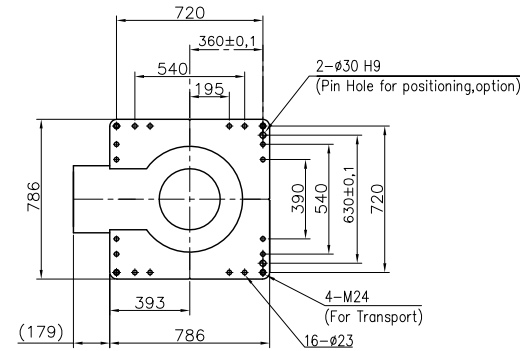
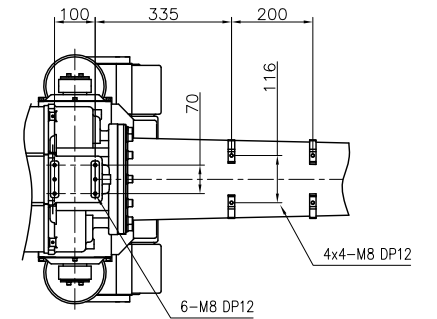


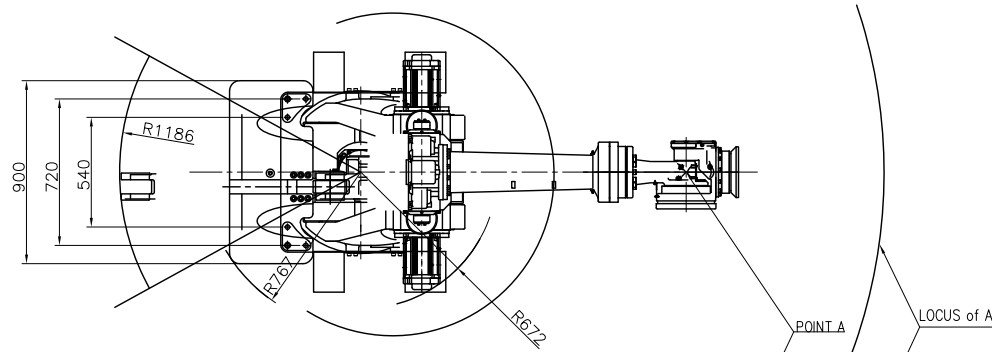
VIEW "A"
(SCALE : 2/1)



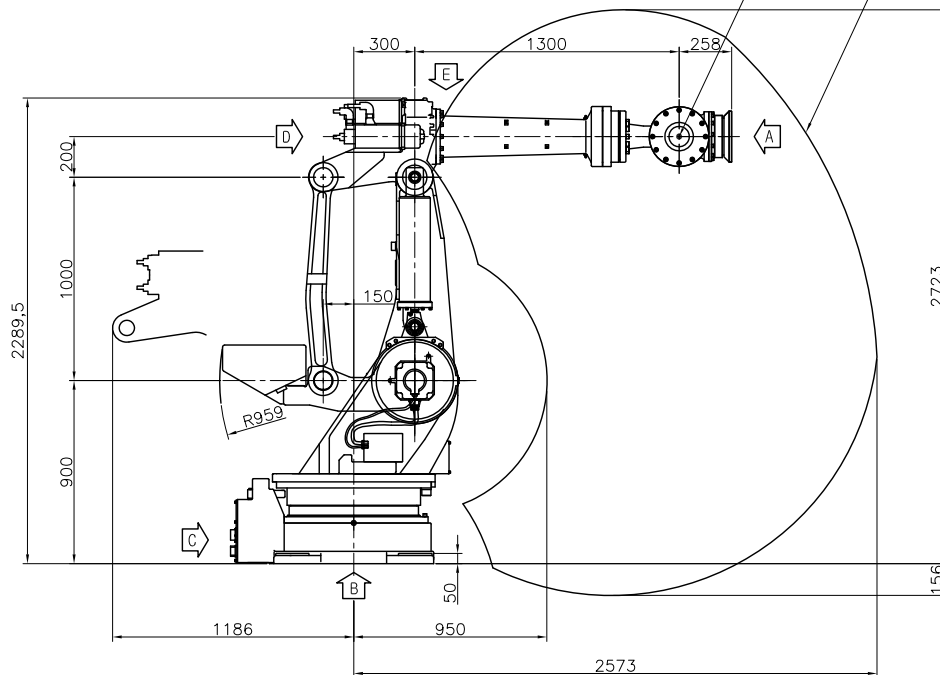
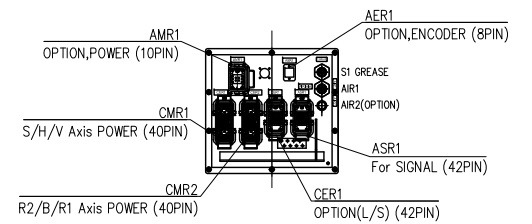
VIEW "B"
(SCALE : 1/1)



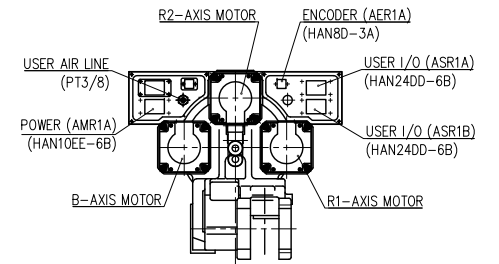
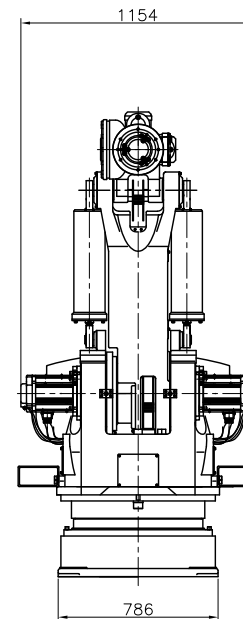
VIEW "E"
(SCALE : 2/1)



VIEW "C" <For Hi5a Controller>
(SCALE : 2/1)



VIEW "D"
(SCALE : 2/1)



BASIC SPECIFICATION OF HX300. PLEASE, REFER TO THE CATALOGUE.

Maximum Operating Range	Arm	S (Swivel)	±180°
		H (Horizontal)	+165° ~ +15°
		V (Vertical)	+30° ~ -125°
		H/V Interference	+60° ~ -70°

MODEL	HX300	issue.1
DATE	2015.02.04	

HYUNDAI HEAVY INDUSTRIES CO.,LTD.
ENGINE & MACHINERY DIVISION

TECHNICAL SPECIFICATION SUBJECT TO CHANGE WITHOUT NOTICE